



## Pedestrian Pallet Truck with platform — medium duty

The ORION Range with modern styling is ideally suited for high performance applications regarding dock loading / cross-docking / horizontal transportation. The LPE200 is a very fast, robust and strong truck. Narrow chassis with castor wheels fully rotating within the chassis profile.

As an alternative we can offer a truck that can be driven 6 km/h — with / without load, especially suited for confined areas / fragile goods / people in circulation. Safety gates are then optional.

- The **comfortable steering arm**, with its modern design, facilitates one hand operation — either left or right hand. The display on the handle gives useful information.
- The **BT POWERDRIVE system**. The unique integration of contactless controls, CAN-Bus communication and a separately excited drivemotor gives many advantages. The contactless controls give smooth and effortless driving. The CAN-Bus communication provides quick, reliable transmission and only a few communication cables are needed. The separately excited drivemotor allows easy programming of its

performance — top speed, acceleration and automatic speed reduction — to suit the application.

- Choice of having **PIN Code** (up to 100) instead of key. Provides access control. Each code can store individual parameters to meet the driver's skill / environment.
- **Regenerative braking**, energy back to the battery.
- **Integrated spring loaded, foldable platform** together with stable and comfortable gates provides safe high speed operation and maximum efficiency.
- The truck is equipped with **POWERTRAK** drive unit configuration — a BT patent. The drive wheel pressure is constantly adjusted due to the weight of the load. The result is excellent stability, optimal traction and steering force.
- Optional **sideways battery exchange**.
- **Battery change plugs** are standard.



Technical Details		LPE200, 6 km/h	LPE200, High performance
Rated capacity	kg	2000	2000
Load centre	mm	600	600
Weight without battery	kg	390	410
Max. axle pressure drive wheel, without/with rated load	kg	350/550	350/550
Max. axle pressure castor wheels, without/with rated load	kg	60+60/205+205	70+70/215+215
Max. axle pressure fork wheels, without/with rated load	kg	65+65/820+820	65+65/820+820
Castor wheels, polyurethane	mm	Ø 125x40	Ø 125x40
Fork wheels, single or bogie, Vulkollan	mm	Ø 85	Ø 85
Drive wheel, Vulkollan	mm	Ø 215x70	Ø 215x70
Travel speed, without/with rated load	km/h	6.0/6.0	8.5/7.5
Lift speed fork, without/with rated load	m/s	0.07/0.05	0.07/0.05
Lowering speed fork, without/with rated load	m/s	0.09/0.08	0.09/0.08
Gradient, without/with rated load	%	18/8	18/8
Service-/parking brake		electrical	electrical
Drive motor/Intermittent rating	kW/%	1.2/60	1.7/60
Lift motor/Intermittent rating	kW/%	2.2/10	2.2/10
Steering system		steering arm	steering arm
Speed control, number of steps		stepless	stepless
Steering arc	°	200	200

Dimensions, mm		LPE200	
x	Back of fork to bogie wheel centre (l=1150 mm, fork raised)	892	
h <sub>23</sub>	Total lift height	205	
h <sub>7</sub>	Platform height	150	
h <sub>14</sub>	Height of handle in neutral pos.	1270	
h <sub>13</sub>	Height of lowered fork	85	
e	Fork width	180	
l	Fork length	800/1000/1150/1200/1450/1550/1950/2150/2350	
b <sub>5</sub>	Width across fork	450/520/536/550/570/685	
l <sub>4</sub>	Platform length	458	
m <sub>1</sub>	Floor clearance	30	

Data is based on standard battery compartment, medium size, l=1150mm

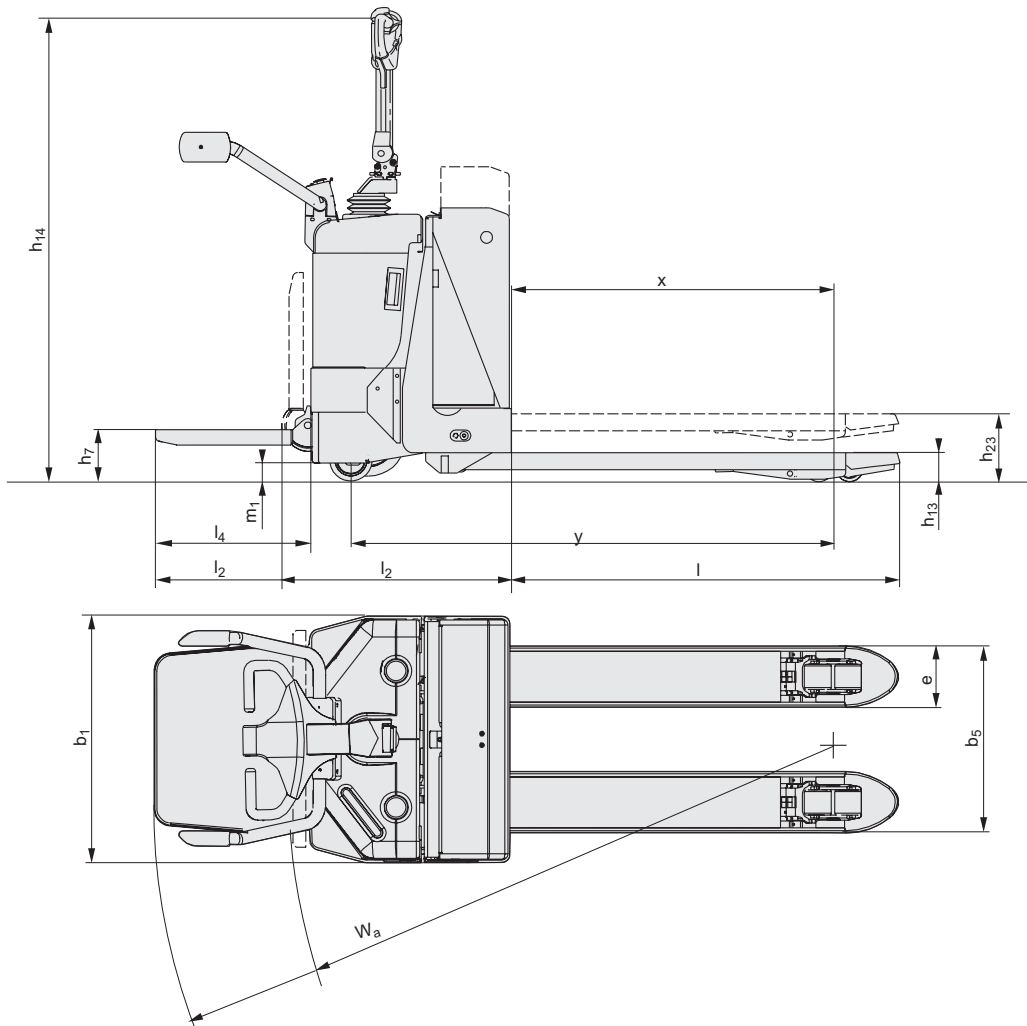
Dimensions — standard battery compartment			Medium battery compartment	Large battery compartment
y	Wheel base, fork raised/lowered (l=1150)	mm	1313/1377	1361/1425
l <sub>2</sub>	Truck length incl. back of fork, platform up/down	mm	677/1051	725/1099
b <sub>1</sub>	Chassis, width	mm	726	726
A <sub>st</sub>	Aisle width, min., platform raised/lowered (Pallet 800x1200 mm)	mm	2013/2387	2061/2435
W <sub>a</sub>	Turning radius, platform up/down	mm	1569/1943	1617/1991
	Battery capacity, min./max.	Ah	180/240	280/320
	Voltage	V	24	24
	Battery weight, min./max.	kg	150/210	200/250

Dimensions — sideway exchange battery compartment			Battery compartment		
			Medium	Large	DIN
y	Wheel base, fork raised/lowered (l=1150)	mm	1345/1409	1395/1459	1445/1489
l <sub>2</sub>	Truck length incl. back of fork, platform up/down	mm	709/1083	759/1133	809/1183
b <sub>1</sub>	Chassis, width	mm	755	755	755
A <sub>st</sub>	Aisle width, min., platform raised/lowered (Pallet 800x1200 mm)	mm	2109/2483	2159/2533	2209/2583
W <sub>a</sub>	Turning radius, platform up/down	mm	1665/2039	1715/2089	1765/2139
	Battery capacity, min./max.	Ah	210/240	280/320	240/330
	Voltage	V	24	24	24
	Battery weight, min./max.	kg	150/210	220/250	210/300

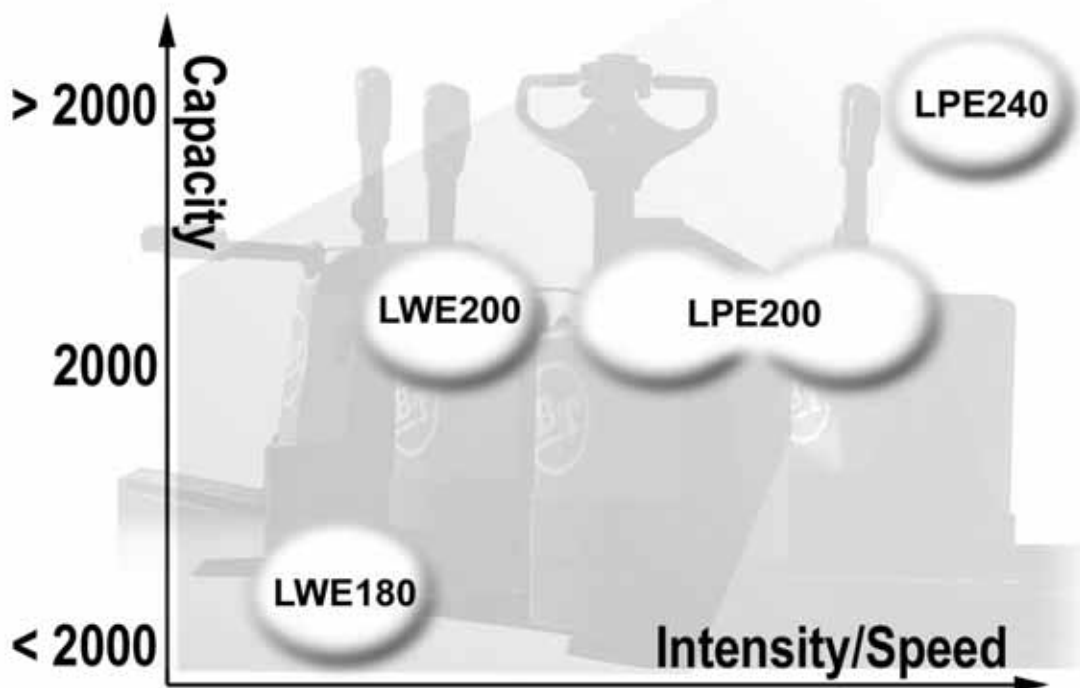
Performance may vary due to motor and system efficiency tolerance and represents nominal values obtained under typical operating conditions.

BT Products AB products and specifications are subject to change without notice.

All data is based on VDI 2198.



## ORION Range





## Options

- **Load support**  
To provide additional safety for operator and load.
- **Writing table**  
For A4-size paper.
- **Fixed back rest**  
The driver is well protected and has a cushion to lean against. For transportation over longer distances.
- **Fixed safety guards**  
Large safety guards for increased driver security.
- **Battery change table**  
For fast exchange of batteries toward the side.
- **Battery change device**  
For fast and easy battery exchange.
- **Climber skids**  
Allow effective pallet entry/exit regardless of pallet type.
- **Cold store specification**  
For operation in temperatures down to -35° C.



BT  
SE-595 81 Mjölby Sweden  
Tel: +46 (0)142 860 00  
Fax: +46 (0) 142 866 00  
Email: [info@bt-forklifts.com](mailto:info@bt-forklifts.com)  
[www.bt-forklifts.com](http://www.bt-forklifts.com)



*Handling innovation*