



Product Information

LR 3.0/LR 3.0 T

Rider Seated Pallet Truck for intensive transportation systems



The LR 3.0 is designed for heavy duty operations, particularly those that involve long travel distances. Offering a full 3000kg capacity, with fork length available over 3.5 m, the truck can carry multiple loads with ease. Maximum travel speed is up to 12 km/h, allowing fast and efficient load transportation.



The LR 3.0 T is a further development with double twin motors. It is built to manage a speed of 13.3 km/h with load and 15 km/h without load. This version is only available with the driver high situated.



- Electronic 360° steering, with a small fingertip-controlled spinner wheel.
- An LED steering direction indicator ensures total control and safety.
- The driver's cab provides total protection for the operator, and comfort is assured with fully adjustable seat and pedal positions.
- The pedals are laid out as in a car to ensure ease and familiarity in operation.
- Controls and instruments are well laid-out, and include a combined battery condition indicator/hour meter.
- The machine is based upon BT's advanced reach truck design, providing excellent servicing features and easy access to all parts and components.
- Narrow chassis design enables the truck to work in confined areas and also allows easy operation in block-storage environments.



Options

- **An optional door**
provides a fully enclosed cab, with flat floor for maximum comfort and safety.
- **Over head guard**
- **Different Fork Lengths**

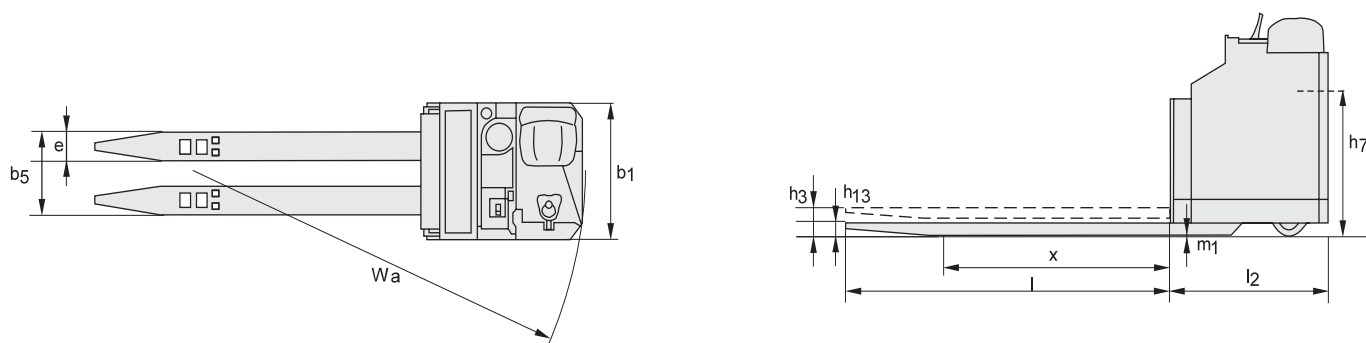


Technical Details		LR 3.0	LR 3.0 T
Power unit		electrical, battery	electrical, battery
Operating type		ride on	ride on
Rated capacity	kg	3000	3000
Weight without battery	kg	1360	2695
Max axle pressure castor/drive wheels, without/with rated load	kg	1850/2850	1850/2850
Max. axle pressure fork wheels, without/with rated load	kg	450/2550	450/2550
Wheel type		polyurethane	polyurethane
dimension, fork wheels	mm	Ø 85x110 ¹⁾	Ø 85x110 ¹⁾
dimension, drive/castor wheels	mm	Ø 310/Ø 200x50	Ø 310/Ø 200x50
Service brake		hydraulic	hydraulic
Parking brake		electrical, hydraulic	electrical, hydraulic
Travel speed, without/with 1000kg/2000kg/3000kg	m/s	3.5/3.2/3.0/2.8	4.2/—/—/3.7
Drive motor/Intermittent rating	kW/%	5/60	2x3.7/60
Lift motor/Intermittent rating	kW/%	2.0	2.0
Battery weight	kg	940	940
Battery (5h discharge)	V/Ah	48/480	48/480
Steering system		360° electrical	360° electrical
Speed control, number of steps		transistor, stepless	transistor, stepless

1) Bogie

Dimensions		LR 3.0	LR 3.0 T
x	Front axle to fork face	2100/2840	2100/2840
h ₁₃	Height of lowered fork	85	85
l ₂	Truck length incl. back of fork	1231	1231
b ₁	Chassis	980	980
l	Fork length	2850/3590	2850/3590
e	Fork width	200	200
b ₅	Width across fork	560	560
m ₁	Floor clearance	20	20
W _a	Turning radius, l = 2850	3353	3353
h ₃	Lift height	200	200
h ₇	Height of driver's seat	1190/1440	1440

Performance may vary due to motor and system efficiency tolerance and represents nominal values obtained under typical operating conditions.
BT Products AB products and specifications are subject to change without notice.



BT
SE-595 81 Mjölby Sweden
Tel: +46 (0)142 860 00
Fax: +46 (0) 142 866 00
Email: info@bt-forklifts.com
www.bt-forklifts.com

