



BT Reflex AC Reach Trucks are high performance trucks available within BT's range with capacity up to 2500 kg and with lift heights up to 11.5 m. Each truck is configured to provide the optimum chassis / battery / mast combination according to the requirements of the application.



Technical Details		RR B 1—3 RR E 1—3	RR B 4 RR E 4	RR B 5—6 RR E 5—6	RR B 7—8 RR E 7—8
Power unit		electric; AC			
Operating type		ride on			
Rated capacity	kg	1600	1600	2000	2500
Load centre	mm	600	600	600	600
Weight without battery	kg	2315 (h ₃ =5700 mm)	3630 (h ₃ =11000 mm)	2995 (h ₃ =7000 mm)	3885 (h ₃ =9000 mm)
Max. axle load drive wheel, without/with rated load	kg	1785/1480	2605/2225	2200/1910	2725/2150
Max. axle load support arm wheels, without/with rated load	kg	1835/4350	2820/5400	2240/5470	3225/7045
Wheel type, drive wheel/support arm wheels		polyurethane			
dimension, drive wheel	mm	Ø 310 x 120	Ø 350 x 127,5	Ø 350 x 127,5	Ø 350 x 127,5
dimension, support arm wheels	mm	Ø 300 x 100	Ø 350 x 108	Ø 350 x 108	Ø 350 x 108
Travel speed, without/with rated load	km/h	11.2/10.1	10.4/9.7	10.4/9.7	—
Travel speed ACi-model, without/with rated load	km/h	12.0/12.0	12.0/12.0	12.0/12.0	12.0/12.0
Lift speed, without/with 1000 kg/with rated load	m/s	0.54/0.37/0.33	0.54/0.35/0.30	0.54/0.35/0.30	0.52/0.37/0.27
Lowering speed, without/with 1000 kg/with rated load	m/s	0.47/0.53/0.50	0.47/0.53/0.50	0.47/0.53/0.49	0.46/0.53/0.47
Gradient, without/with rated load	%	15/10	15/10	15/10	12/7
Acc. time, 0—9 m, without/with rated load	s	4.5/5.1	4.5/5.1	4.5/5.1	5.0/5.5
Service brake		electric			
Parking brake		autom. electr. magnetic			
Drive motor rating (S2 60')	kW	5.5	7.5	7.5	7.5
Lift motor rating (S3 15%)	kW	10	10	10	14
Steering system		electronic			
Speed control, number of steps		transistor, stepless			
Number of steering wheel turnings		endless			

Dimensions, mm		RR B 1—3 / RR E 1—3	RR B 4 RR E 4	RR B 5—6 RR E 5—6	RR B 7—8 RR E 7—8
y	Wheel base	1425	1475	1475	1600
h ₆	Height of cab	2166/2216	2266	2266	2266
h ₈	Height of support arm	270	320	320	320
b ₁₄	Width of support arm	185/120	185	185	185
h ₁₃	Height of lowered fork	40	40	40	45
b ₁	Chassis, width	1270/1290/ 1470/1670	1270/1470/1670	1270/1470/1670	1270/1470/1670
e	Fork width	100	120	120	125
l	Fork length	1150	1150	1150	1150
b ₅	Width across fork without sideshift	250—718	250—718	250—718	250—718
	with sideshift	250—738	250—738	250—738	250—738
b ₄	Width between support arms	900/1050 ¹⁾ / 1100/1300	900/1100/1300	900/1100/1300	900/1100/1300
m ₁	Floor clearance	70 ²⁾	70 ²⁾	70 ²⁾	70 ²⁾
W _a	Turning radius	1640	1690	1690	1815
l ₇	Truck length excl. fork	1811	1886	1886	2011

- 1) Limited lift height
2) 15mm under studs

Dimensions — Battery compartment		RR B 1 RR E 1	RR B 2/3 RR E 2/3	RR B 4 RR E 4	RR B 5 RR E 5	RR B 6 RR E 6	RR B 7 RR E 7	RR B 8 RR E 8
x	Front axle to fork face without sideshift	mm	435 ¹⁾	366	307	382	307	—
	with sideshift	mm	397 ¹⁾	328	269	344	269	321
	with rollerbed, incl. sideshift	mm	372 ¹⁾	303	244	319	244	296
l ₂	Truck length incl. fork face without sideshift	mm	1205 ²⁾	1274	1383	1308	1383	—
	with sideshift	mm	1243 ²⁾	1312	1421	1346	1421	1494
	Battery capacity	Ah	360—440	480—600	600—750	480—600	600—750	600—750
	Battery weight, min.	kg	700	865	1075	865	1075	1075
	Depth	mm	275	344	419	344	419	419

- 1) -30 mm for RR E1 at lift height 6300 mm or greater
2) +30 mm for RR E1 at lift height 6300 mm or greater

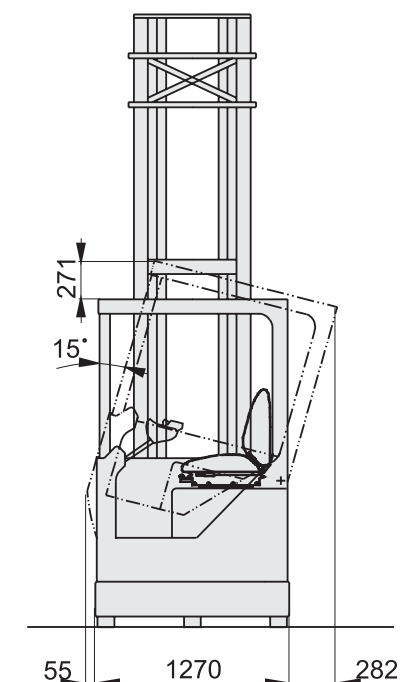
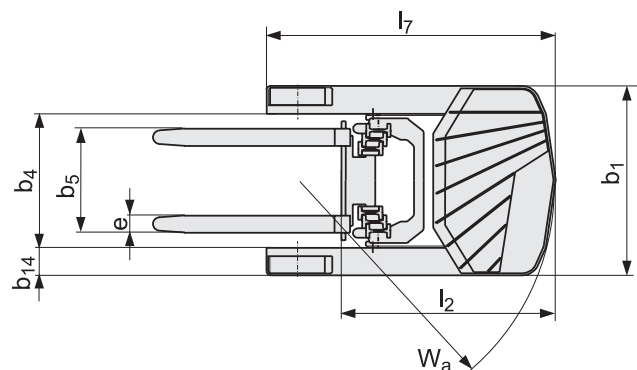
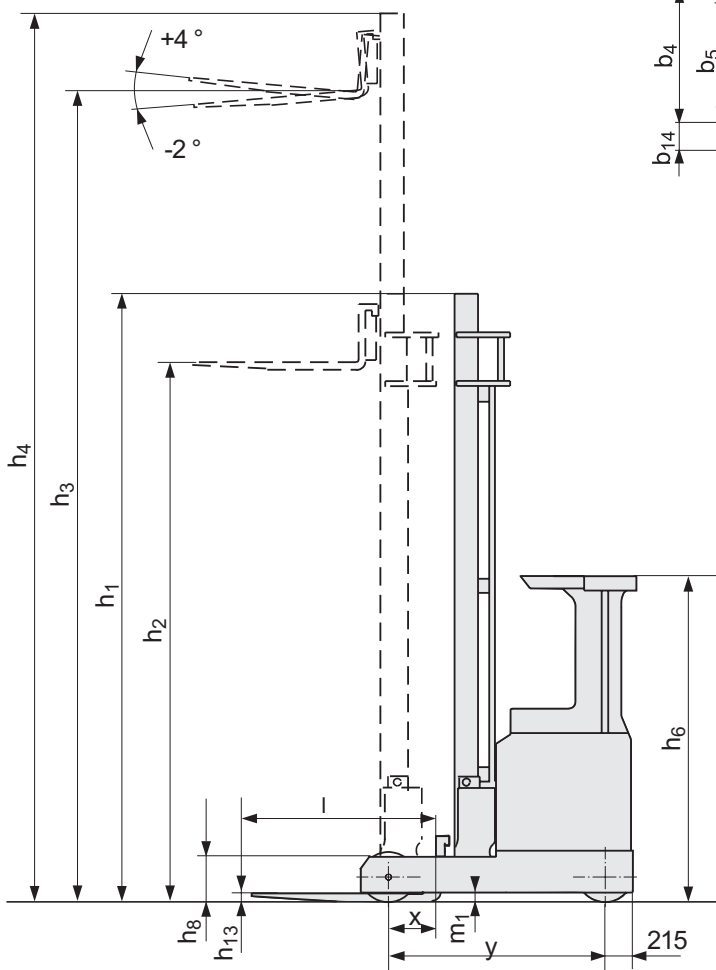
Mast, mm														
h_3 Lift height	4400	4600	4800	5400	5700	6300	6750	7000	7100	7500	8000	8500	9000	9500
RR B 1—3/RR E 1—3 ¹⁾														
h_1 Height of mast, min.	2057		2190	2390	2490	2732	2981	3064	2981*	3231	3398	3564	3731	3898
h_2 Free lift	1416		1549	1749	1849	2091	2340	2423	2340*	2590	2757	2923	3090	3257
h_4 Height of mast, max.	5040		5440	6040	6340	6940	7390	7640	7390*	8140	8640	9140	9640	10140
RR B 4 /RR E 4														
h_1 Height of mast, min.														4457
h_2 Free lift														3816
h_4 Height of mast, max.														10140
RR B 5—6/RR E 5—6														
h_1 Height of mast, min.		2165	2232	2432	2532	2732	2981	3064	2981*	3231	3398	3564	3731	3898
h_2 Free lift		1524	1591	1791	1891	2091	2340	2423	2340*	2590	2757	2923	3090	3257
h_4 Height of mast, max.		5240	5440	6040	6340	6940	7390	7640	7390*	8140	8640	9140	9640	10140
RR B 7—8/RR E 7—8														
h_1 Height of mast, min.			2271	2471		2771		3004			3338	3504	3671	3838
h_2 Free lift			1691	1891		2191		2425			2757	2925	3091	3257
h_4 Height of mast, max.			5381	5981		6881		7581			8581	9081	9581	10081

1) RR B1/E1 h_3 max. 7500mm, RR B2/E2 h_3 max. 8500 mm

* = Obtained by reduced overlap

Mast, mm					
h_3 Lift height	10000	10500	10800	11000	11500
RR B 4 /RR E 4					
h_1 Height of mast, min.	4457	4790		4790	
h_2 Free lift	3816	4149		4149	
h_4 Height of mast, max.	10640	11140		11640	
RR B 7—8/RR E 7—8					
h_1 Height of mast, min.	4004	4171	4271		4504
h_2 Free lift	3425	3591	3691		3923
h_4 Height of mast, max.	10581	11081	11381		12081

Truck performance and dimensions are nominal and subject to tolerances.
BT Products AB products and specifications are subject to change without notice.
All data is based on VDI 2198.





- Low step-in height. Excellent driver ergonomics, with fully adjustable seat, pedals and BT Control console, with electronic control of all hydraulic functions.
- Tilting cab and electronic height indication is available on all models. Programmable tilt-back and tilt-forward heights.
- Easy selection of performance parameters. Standard set-up choices available. Up to 100 PIN numbers available to provide access control, and no keys needed. Restricting operation to only authorized drivers.
- Electronic regenerative braking (motor braking, pedal braking or change of drive direction). Programmable to suit the driver — when accelerator is released, and/or when change of travel direction is applied.
- Parking brake is automatically applied when the truck is stationary, and automatically releases when the accelerator is activated.
- E-bar. Universal mount for warehouse management devices such as PC:s, terminals, bar code readers etc.
- Unique weight check facility as standard.

Truck features	RR B/E 1-3	RR B/E 4	RR B/E 5-6	RR B/E 7-8
Adjustable fork width	S	S	S	S
Choice of cab widths	O	O	O	O
Choice of chassis widths	O	O	O	O
Tilting forks	S	S	S	S
Controls and instruments				
Electronic height indicator	O	O	O	O
Fingertip hydraulic controls	S	S	S	S
Height pre-selector	O	O	O	O
Driving features				
360° progressive steering	S	S	S	S
Automatic deceleration	S	S	S	S
Electronic braking system	S	S	S	S
Electronic speed control	S	S	S	S
Safety features				
Automatic parking brake	S	S	S	S
BT Access Control	S	S	S	S
Clear-view mast	S	S	S	S
Clear-view overhead guard	S	S	S	S
Programmable performance	S	S	S	S
Drivers compartment features				
Adjustable pedals	S	S	S	S
Low step-in	S	S	S	S
On-board data terminal mount (E-bar)	S	S	S	S
Tilting cab	O	O	O	O
Maintenance features				
Fault diagnosis facility	S	S	S	S
History fault log	S	S	S	S
Battery management features				
Battery status indicator	S	S	S	S
Side-ways battery change	O	O	O	O
Special applications				
Coldstore version	O	O	O	O

S = Standard feature

O = Optional feature

— = Not available

BT
 SE-595 81 Mjölby Sweden
 Tel: +46 (0)142 860 00
 Fax: +46 (0) 142 866 00
 Email: info@bt-forklifts.com
 www.bt-forklifts.com

